



311 WEST STIEGEL STREET
 MANHEIM, PA USA 17545
 PH: 717.665.0909
 FAX: 717.664.8287
 www.fennerprecision.com

THIS DOCUMENT CONTAINS
 CONFIDENTIAL INFORMATION THAT IS
 OF FENNER PRECISION PROPERTY.
 DO NOT DISCLOSE TO OR DUPLICATE
 FOR OTHERS, EXCEPT AS
 AUTHORIZED BY FENNER PRECISION.
 UNCONTROLLED DOCUMENT WHEN
 PRINTED.

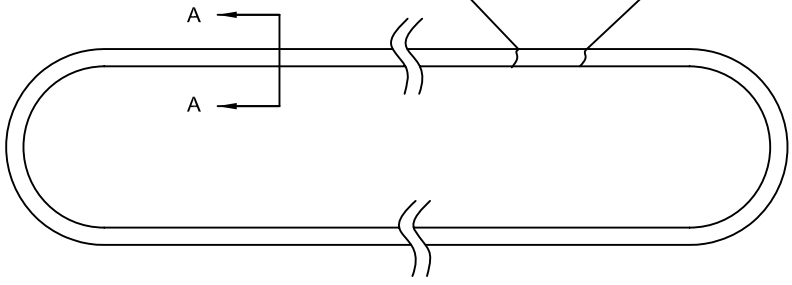
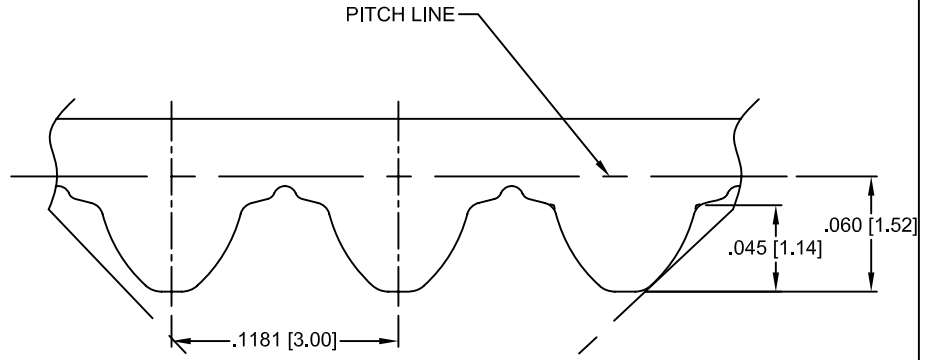
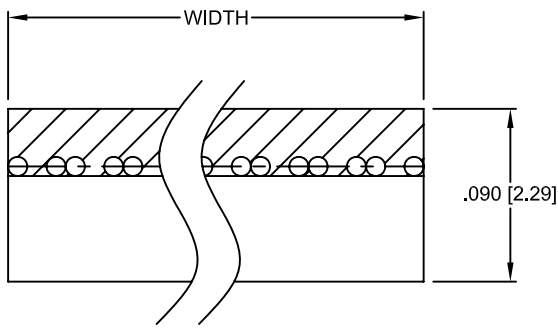
CUSTOMER : _____
 PROJECT/SERIAL # : _____
 APP'D BY/DATE : _____
 APP'D BY CUST./ P.O.#¹ _____

FHT-3 TIMING BELT PROFILE

TOLERANCES
 2 PLACE DEC. ±0.01
 3 PLACE DEC. ±0.005
 4 PLACE DEC. ±0.0005
 ANGLES ±1°
 OR AS NOTED

DWN : SKK APPD : HANS DATE : _____

REV	BY	DATE	DESCRIPTION	SHEET 1 OF 1	DRAWING NUMBER	REV
				DWG SCALE : 10:1	FHT-3 PROFILE -	
				PLOT SCALE : 1:1		INCH[MILLIMETER]



SCALE 1:1